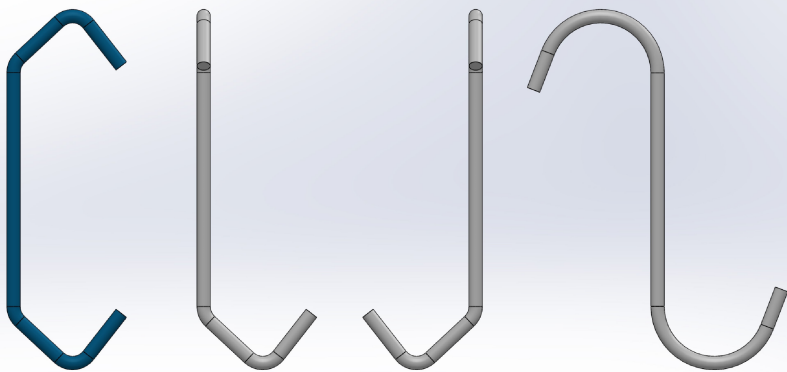


DRITTO
FLAT



CODICE CODE	L(mm)
D3L80-CP	80
D3L100-CP	100
D3L120-CP	120
D3L150-CP	150
D3L180-CP	180
D3L200-CP	200
D3L260-CP	260
D3L300-CP	300
D3L360-CP	360
D3L400-CP	400
D3L500-CP	500
D3L600-CP	600
D3L700-CP	700
D3L800-CP	800
D3L900-CP	900
D3L1000-CP	1000

DESCRIZIONE / DESCRIPTION

GANCIO ACCIAIO "EN20170-SM" $\varnothing 3$, PIEGA STANDARD "CP"
STEEL HOOK "EN20170-SM" $\varnothing 3$, STANDARD BENDING "CP"

MATERIALE / MATERIAL

EN10270-SM (C70)



SCALA / SCALE

1:1

FORMATO / SHEET SIZE

A4



Rostirolla s.r.l.